

TITLE: SoC Shield

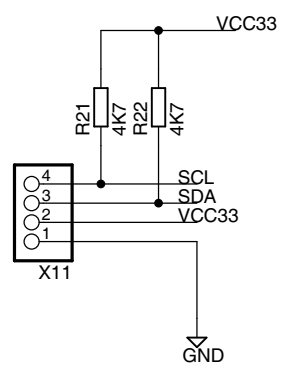
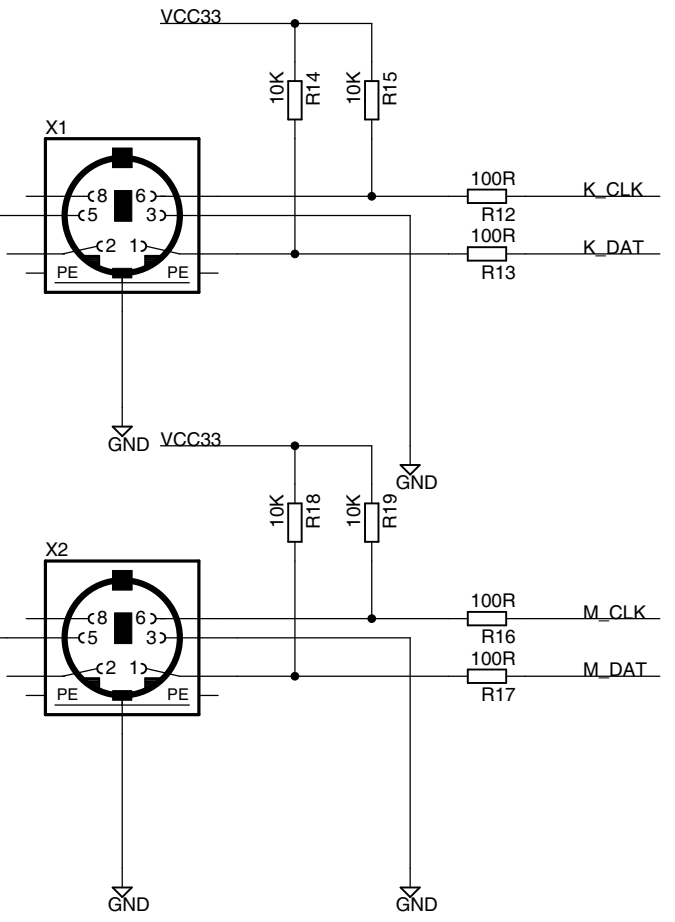
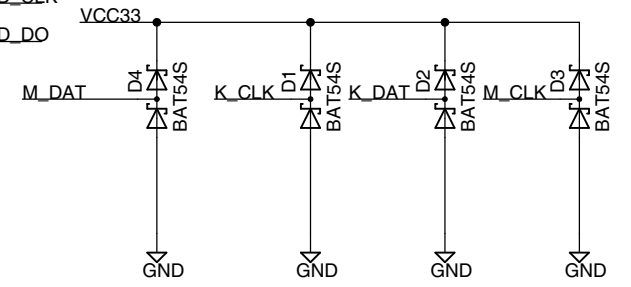
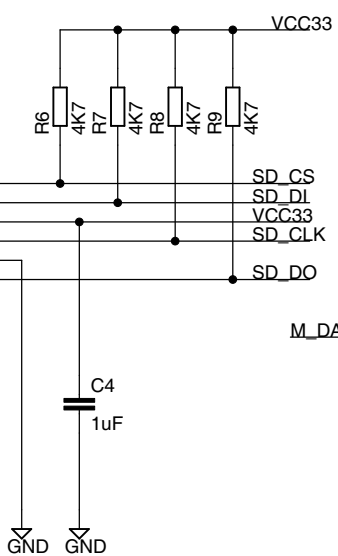
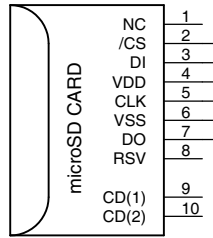
Document Number:

REV:

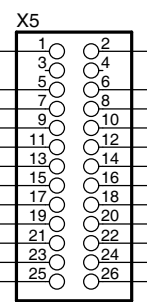
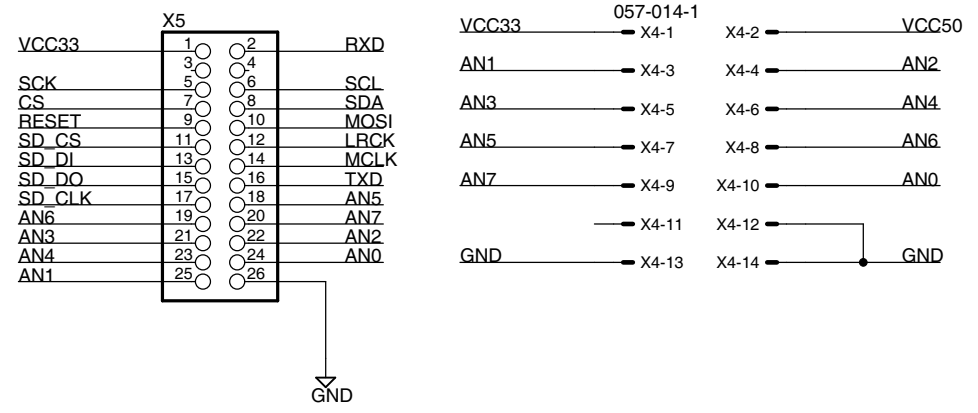
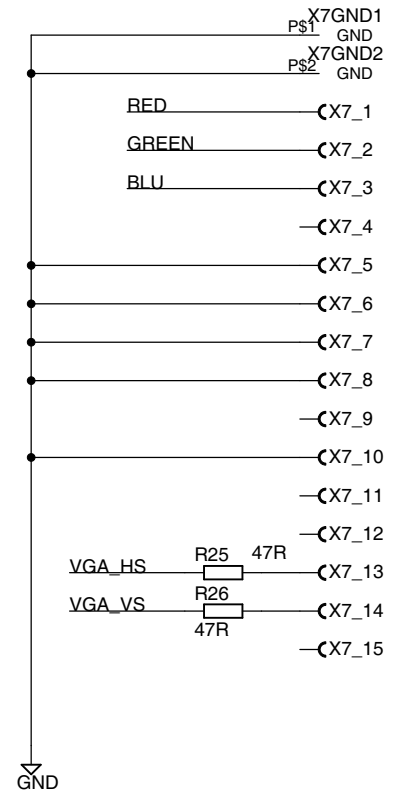
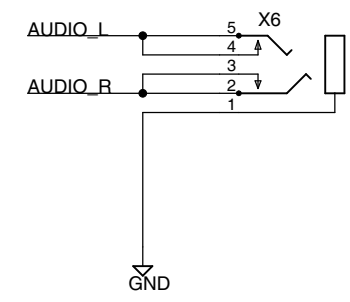
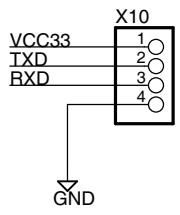
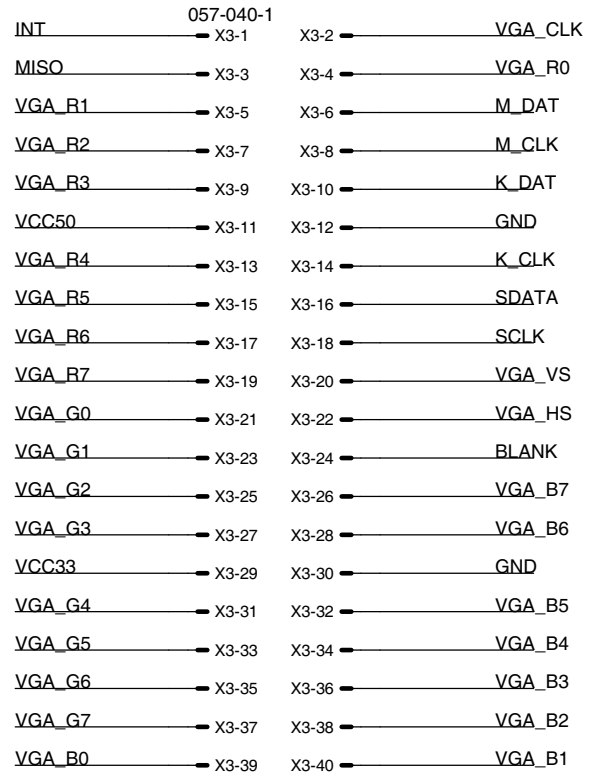
Date: 03/01/2015 19:14:22

Sheet: 1/4

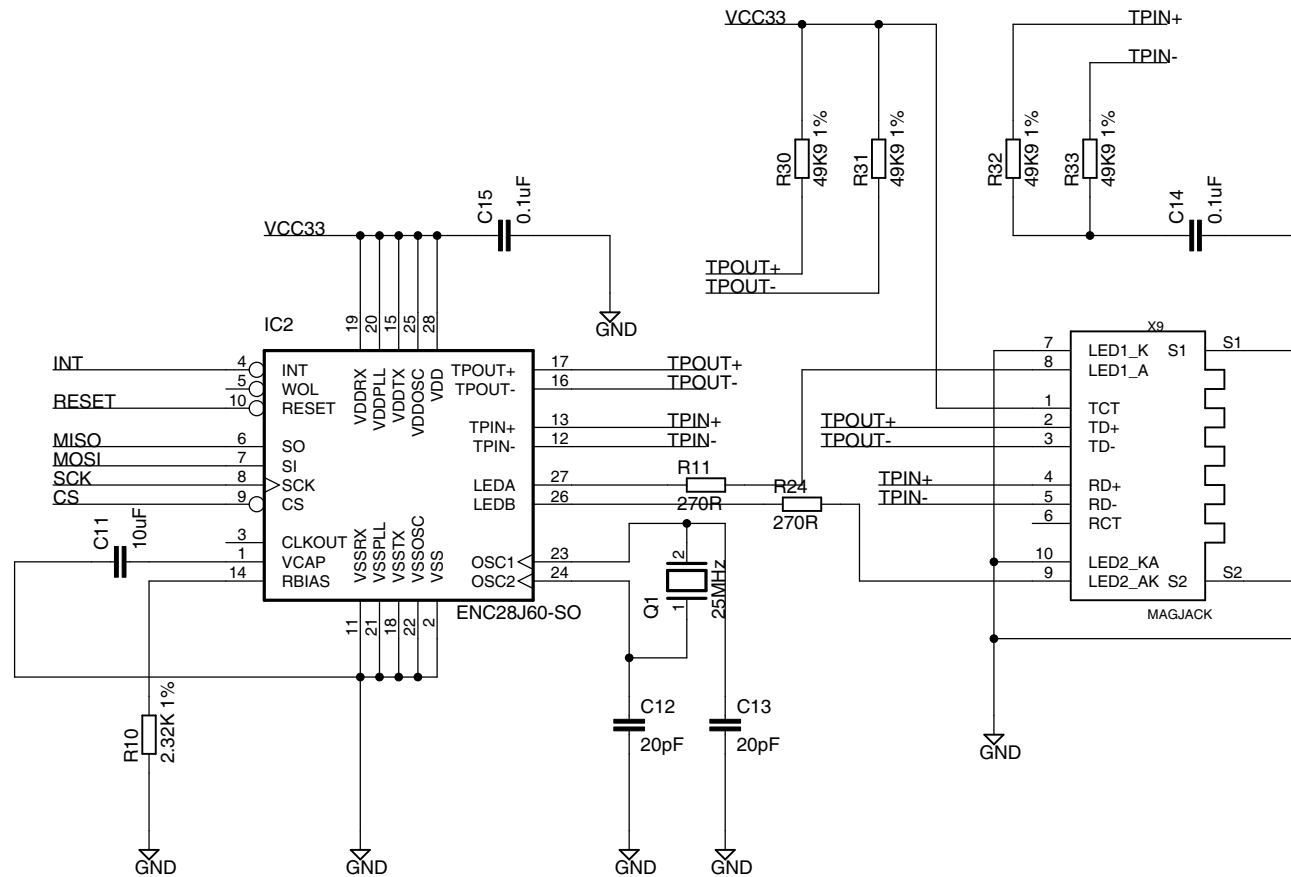
X8  
MICROSD\_SPI\_MODE



TITLE: SoC Shield	
Document Number:	REU:
Date: 03/01/2015 19:14:22	Sheet: 2/4



TITLE: SoC Shield	
Document Number:	REU:
Date: 03/01/2015 19:14:22	Sheet: 3/4



TITLE: SoC Shield	
Document Number:	REU:
Date: 03/01/2015 19:14:22	Sheet: 4/4